

# BASE CABINET

## SETUP AND OPERATING INSTRUCTIONS

Your base cabinet provides an attractive, secure platform for your machine as well as being able to provide you with increased storage space and filter paper/grounds disposal capacity. Save these instructions for later reference.

**SPECIFICATIONS:**

Height (cabinet only):..... 30"	Width:..... 19 1/4"
Height (skirt set):..... 6"	Depth: ..... 20"
Overall Height: ..... 36"	Weight: ..... 105 lbs.

**FEATURES:**

- |                              |  |
|------------------------------|--|
| Increased waste capacity     | The base cabinet can contain a full-size waste bucket to extend the time between servicing (200 drinks).                     |
| Interior storage:            | One full and one half-width shelf (used with waste bucket) gives you room to store product, cleaning supplies, etc.          |
| Use the same key:            | You can use the same key with the base cabinet that unlocks your machine. Two extra keys are included with the base cabinet. |
| Weighted base for stability: | (An inspection hole is provided in the rear of the base cabinet skirt to verify the presence of the concrete weight.)        |

**Parts Included**

PART NUMBER	DESCRIPTION	QTY
-------------	-------------	-----

**CAFÉ III ONLY**

6802030	GROUNDS TRAY ASSEMBLY - CUTOUT - WHITE	1
6802031	GROUNDS TRAY ASSEMBLY - CUTOUT - BLACK	
6802032	GROUNDS TRAY ASSEMBLY - CUTOUT - SILVER	

**CAFÉ IV® ONLY**

6822012	GROUNDS TRAY ASSEMBLY - CUTOUT - WHITE	1
6822013	GROUNDS TRAY ASSEMBLY - CUTOUT - BLACK	
6822014	GROUNDS TRAY ASSEMBLY - CUTOUT - SILVER	

**COMMON PARTS**

-	BASE CABINET ASSEMBLY (COLOR CHOICES VARY)	1
3631172	BUCKET - GROUNDS	1
6231478	BAG - GROUNDS BUCKET	10
6401834	SCREW - # 3/8-16 X .62	4
6800004	SETUP AND OPERATING INSTRUCTIONS (THIS DOCUMENT)	1
6801080	ENCLOSURE ASSEMBLY - GROUNDS OPENING	1

## I. BASE CABINET INSTALLATION:

1. Place the base cabinet in its permanent location. Using a spirit level, level the cabinet side to side and front to back using the leveler feet as shown (figure 1).

### NOTE

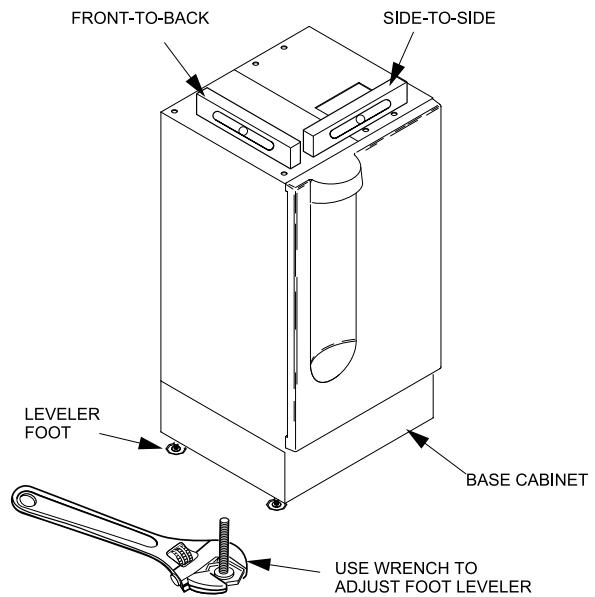
*The following step MUST be completed to ensure that your machine location will remain sanitary. The weatherstrip is designed to prevent spilled liquids and solids from getting under the machine and becoming a health risk.*

2. Peel the backing off the foam gasket (included with your machine in the bag assembly). Attach the foam gasket to the bottom perimeter of the machine, as far toward the edges as possible (figure 2).

### NOTE

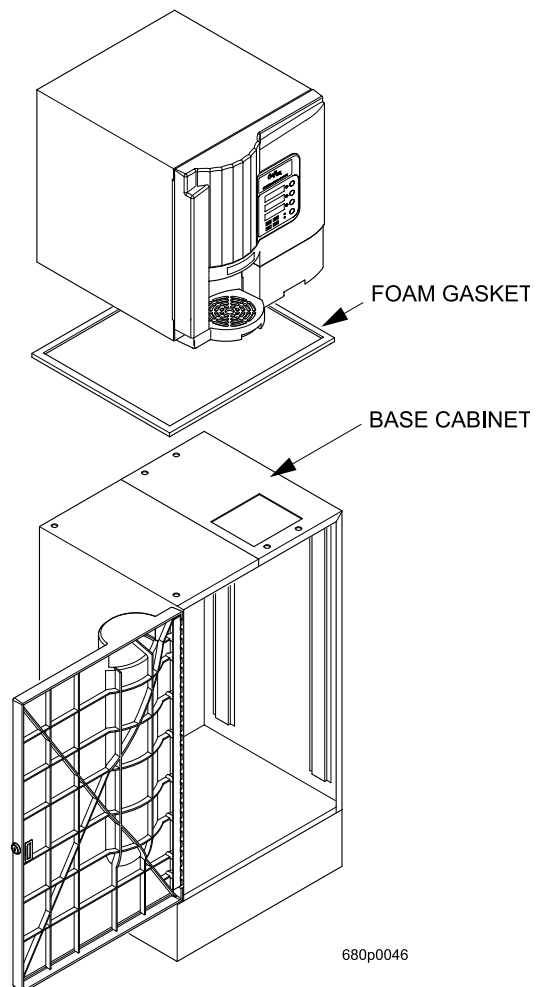
*Do not plug the machine into electrical power until told to do so.*

3. Place the machine on top of the base cabinet making sure the front, left side and rear of the machine are flush with the base cabinet (figure 2).



680p004f

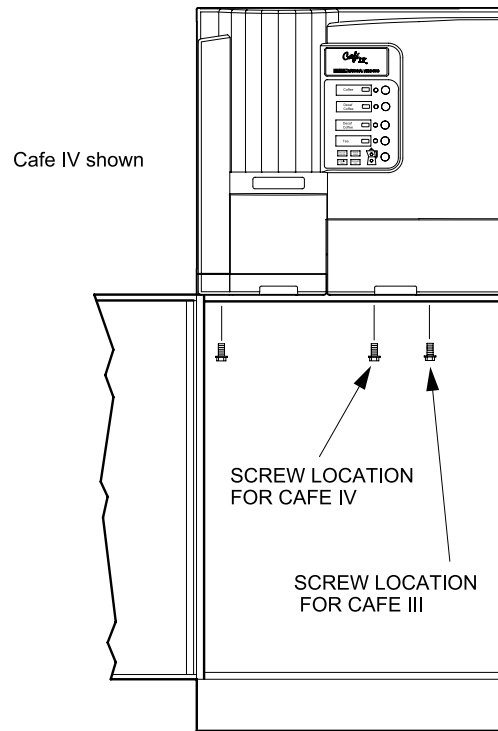
Figure 1



680p004g

Figure 2

4. Secure the machine to the base cabinet by inserting the four thread cutting screws up through the holes of the base cabinet, and into the plastic feet of the machine. **Take care not to over tighten and strip the plastic feet (figure 3).**
5. If you are not using the lower base cabinet waste bucket, you have completed the setup. If you are using the waste bucket, continue with "Set up the base cabinet for use with waste bucket".



**Figure 3**

680p0047

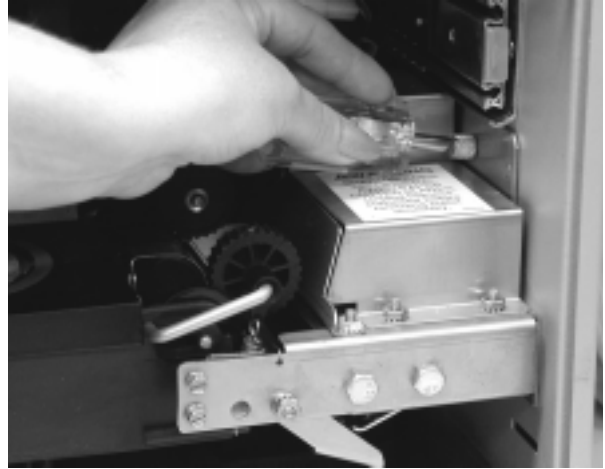
## II. SET UP THE BASE CABINET FOR USE WITH WASTE BUCKET:

1. Remove the grounds tray assemblies from the base cabinet and machine.
2. Remove the paper cutter as follows:
  - a. Disconnect the wiring harness (figure 4).



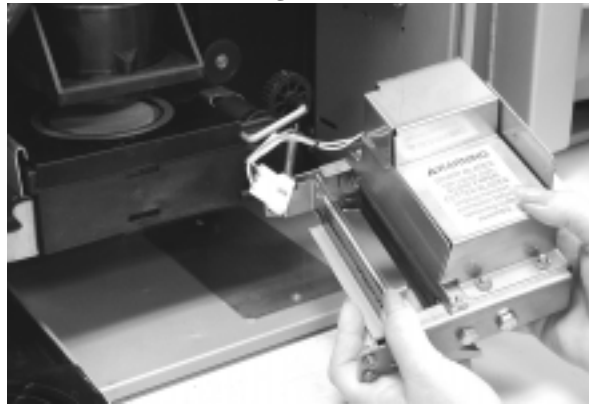
**Figure 4**

- b. Remove the knurl screw holding the paper cutter to the inside of the cabinet. Use a screwdriver, if necessary (figure 5).



**Figure 5**

- c. Remove the paper cutter from the machine and set it aside (figure 6).



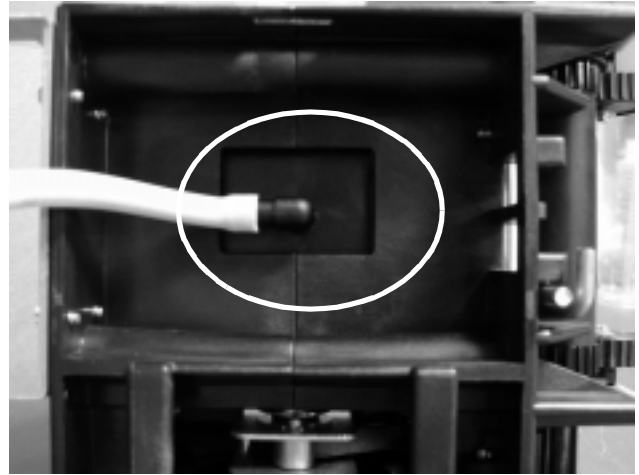
**Figure 6**

3. Remove the brewer as follows:
  - a. Remove the tubing from the top of the brewer (figure 7).



**Figure 7**

- b. Remove the tubing from the bottom of the brewer (figure 8).



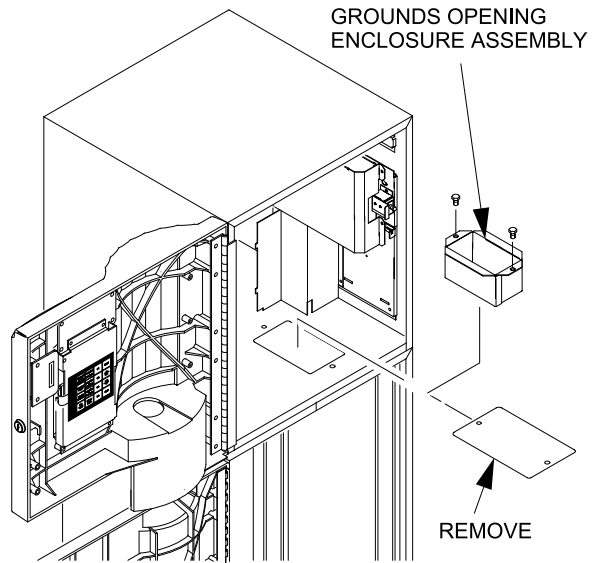
**Figure 8**

- c. Remove the brewer from the machine and set it aside (figure 9):
1. Pivot the bottom of the unit towards you, lift up slightly, and pull straight out.



**Figure 9**

- Remove the plate covering the grounds opening and using the same two screws, install grounds opening enclosure assembly (figure 10).



680p0049

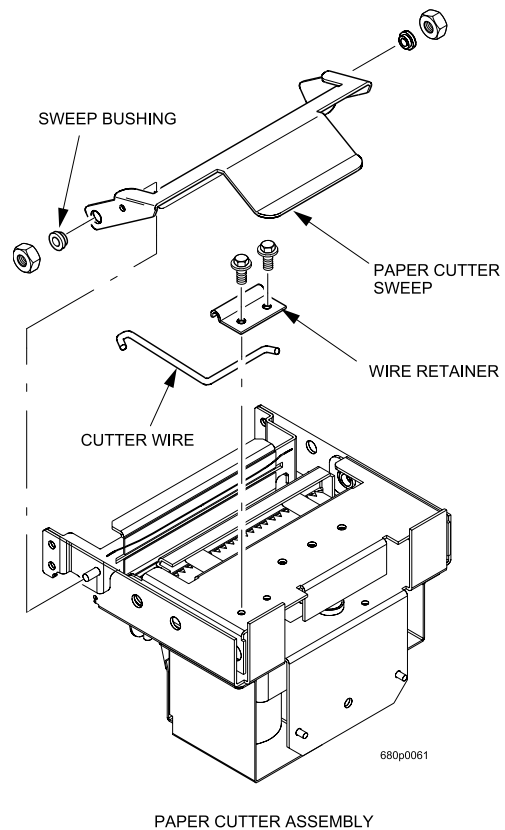
Figure 10

### III. MODIFY THE PAPER CUTTER ASSEMBLY:

- Turn the paper cutter upside down (figure 11).
- Remove the screws securing the cutter wire and wire retainer. Remove the cutter wire and wire retainer.
- Remove the nuts and sweep bushings securing the paper cutter sweep. Remove the paper cutter sweep.

**NOTE**

*Save these parts if you wish to use the machine without a base cabinet in the future.*



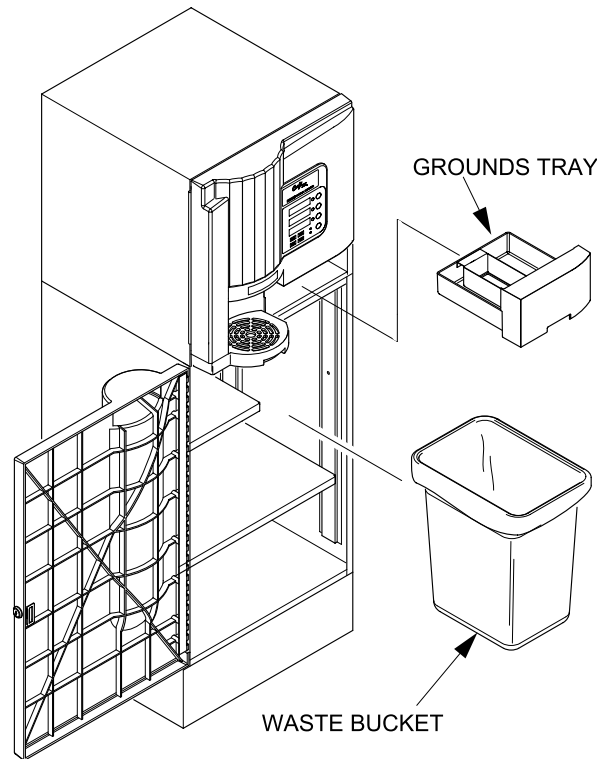
680p0061

PAPER CUTTER ASSEMBLY

Figure 11

#### IV. COMPLETE THE INSTALLATION

1. Install the brewer and paper cutter in the reverse order of disassembly.
2. Place a waste bucket liner bag inside the waste bucket and place the waste bucket inside machine (figure 12).
3. Install the grounds tray (packaged with base cabinet) into the machine (figure 12).



680p0051

4. Set up the machine in accordance with the instructions in the *Setup Guide*. When you reach the section on programming the DIP switches, do the following:
  - a. Step 2c: Large grounds? Set the DIP switch to yes (large grounds) (figure 13). This will set the maximum drink count to 200, permitting a longer period of time before emptying the waste bucket.
  - b. To reset the drink counter, you must remove and then replace the grounds tray (in the machine).

Figure 12

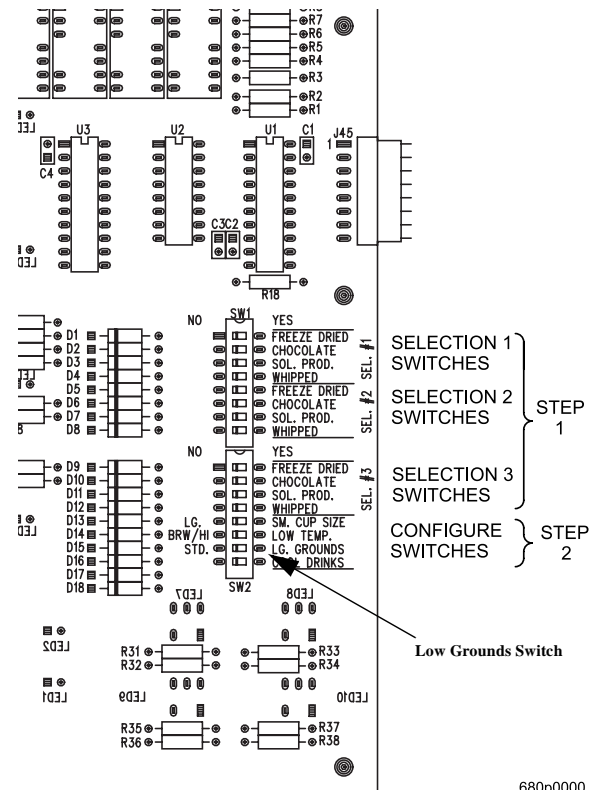


Figure 13

680p0000